

Part Number: PT278-48120

NOTE: Part number of this accessory may not be the same as the part number shown.

Kit Contents

Item #	Quantity Reqd.	Description
1	2	Roof Rack Crossbar Assembly
2	1	Installation Instruction
3		
4		

Recommended Sequence of Application

Item #	Accessory
1	
2	
3	

*Mandatory

Hardware Bag Contents

Item #	Quantity Reqd.	Description
1	4	Rubber Stoppers
2		
3		

Vehicle Service Parts (Required for reassembly)

Item #	Quantity Reqd.	Description
1	1	RH Rear Leg Cover P/N 63493-0E020
2	1	LH Rear Leg Cover P/N 63494-0E020
3		

Additional Items Required For Installation

Item #	Quantity Reqd.	Description
1		
2		
3		

Conflicts

--

Recommended Tools

Personal & Vehicle Protection	Notes
Safety Glasses	
Safety Gloves	
Special Tools	Notes
Installation Tools	Notes
Tape measure	
Nylon Removal Tool	
Special Chemicals	Notes

General Applicability

All RX w/side rail

Legend



STOP: Damage to the vehicle may occur. Do not proceed until process has been complied with.



OPERATOR SAFETY: Use caution to avoid risk of injury.



CAUTION: A process that must be carefully observed in order to reduce the risk of damage to the accessory/vehicle and to ensure a quality installation.



TOOLS & EQUIPMENT: Used in Figures calls out the specific tools and equipment recommended for this process.



REVISION MARK: This mark highlights a change in installation with respect to previous issue.



SAFETY TORQUE: This mark indicates that torque is related to safety.

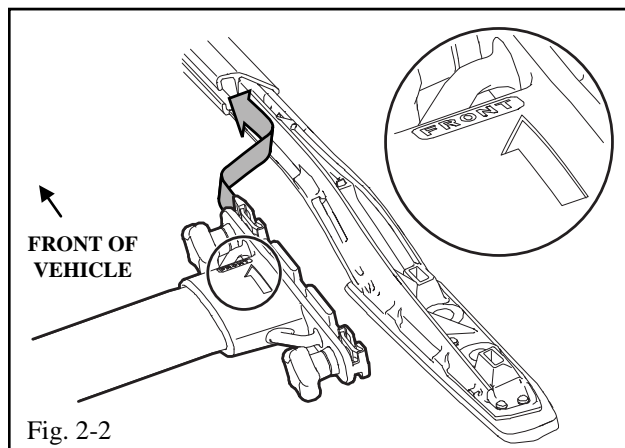
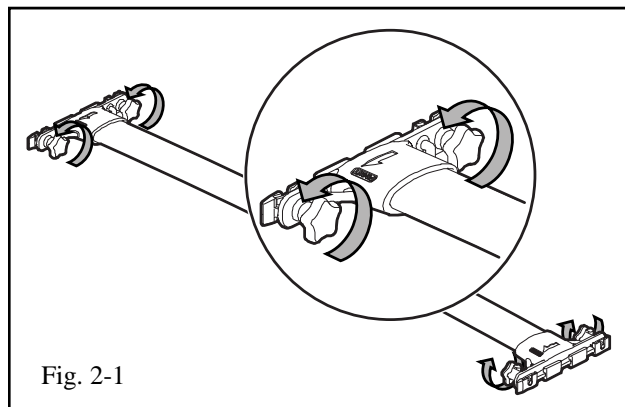
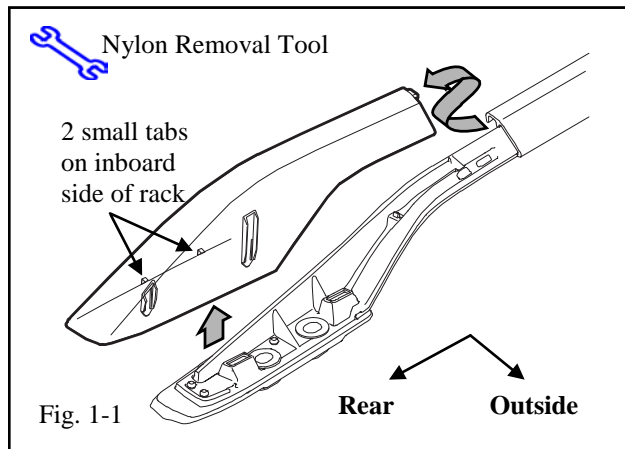
Care must be taken when installing this accessory to ensure damage does not occur to the vehicle. The installation of this accessory should follow approved guidelines to ensure a quality installation.

These guidelines can be found in the "Accessory Installation Practices" document.

This document covers such items as:-

- Vehicle Protection (use of covers and blankets, cleaning chemicals, etc.).
- Safety (eye protection, rechecking torque procedure, etc.).
- Vehicle Disassembly/Reassembly (panel removal, part storage, etc.).
- Electrical Component Disassembly/Reassembly (battery disconnection, connector removal, etc.).

Please see your Toyota dealer for a copy of this document.





1. Remove Roof Rack Leg Covers

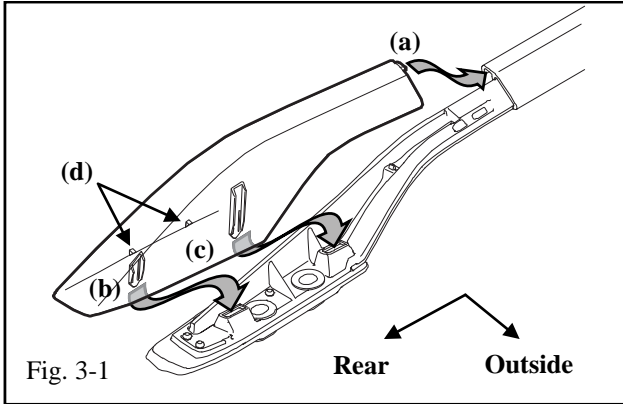
- Remove the rear right roof rack leg cover.
Using the nylon removal tool along the inner edge, pull up and forward on cover (Fig 1-1)
- Repeat the removal for the rear left side.
Discard both leg covers.

NOTE: At re-assembly, replace the roof rack leg covers with new covers noted on “Vehicle Service Parts” on page 1.

2. Crossbar Installation

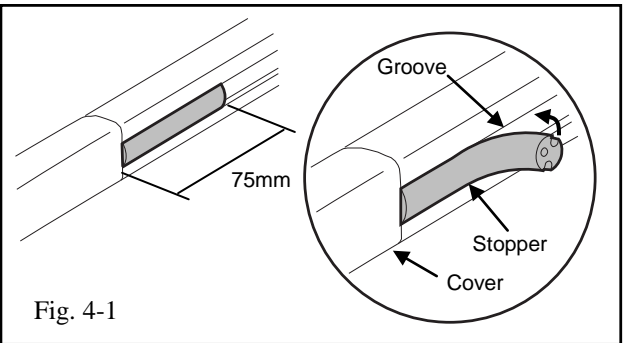
-  Loosen the knobs on each crossbar joint.
(Fig. 2-1)
-  Ensuring that the arrow on the crossbar joint is facing toward the front of the vehicle, slide crossbar joints into left and right roof channels. The front and rear crossbar should be more than 100mm from the front and rear channel ends. Do not tighten the knobs.
(Fig. 2-2)

NOTE: Wind noise may be generated if the crossbars are installed with the arrow pointing rearward.



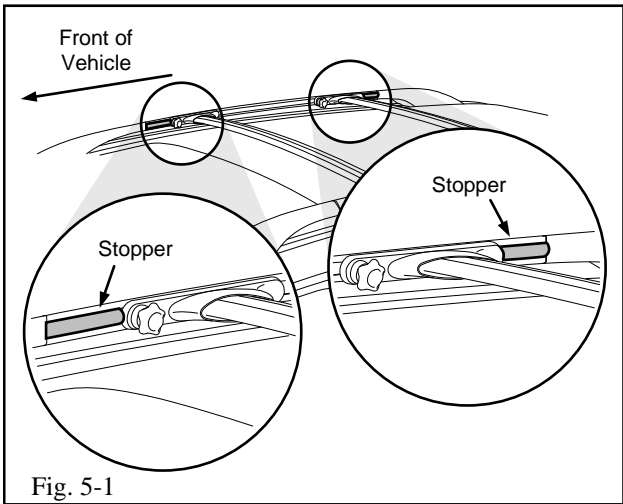
3. Roof Rack Leg Cover Installation

- ⚠ (a) Position the tab at the front of the right rear cover into the guide on the leg. Then align rear clip. (Fig. 3-1)
- (b) Press outer clip to engage to leg.
- (c) Press inner clip to engage to leg.
- (d) Snap inner tabs
- (e) Repeat for the left rear cover.
- (f) Confirm that the cover is installed securely.



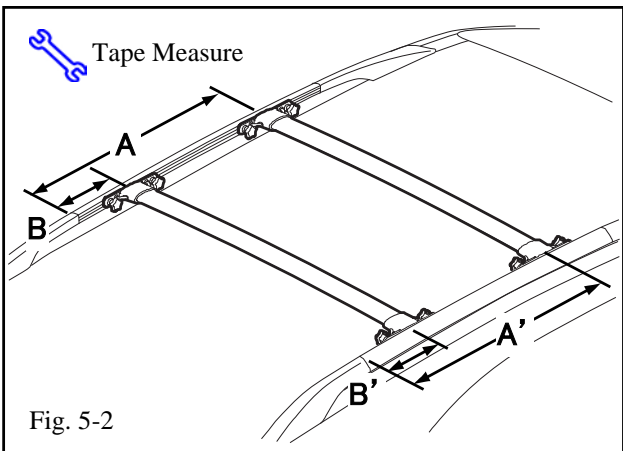
4. Install Stoppers

- (a) Install the stoppers against the leg covers at the front and rear by pressing the stopper into the groove. (Fig. 4-1)



5. Crossbar Alignment

- (a) Position front and rear crossbars so that they are touching the stoppers at the front and rear leg cover. (Fig. 5-1)
- (b) Crossbars should be parallel $A=A'$; $B=B'$ from the rear end of the vehicle. (Fig. 5-2)
- (c) Securely tighten the knobs.



Checklist - these points **MUST** be checked to ensure a quality installation.

Check:

Look For:

Accessory Function Checks

- Crossbar slides along side rails.
- Knobs are tightly secured.
- Stopper is completely seated in the groove.

No binding. Crossbars slide smoothly.
Knobs are not loose.
Gaps for any mis-seating.

Vehicle Function Checks

- Roof rack leg covers are securely installed.

Clips are engaged and there are no gaps.